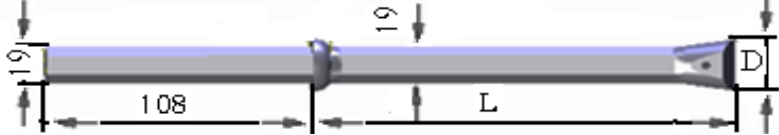
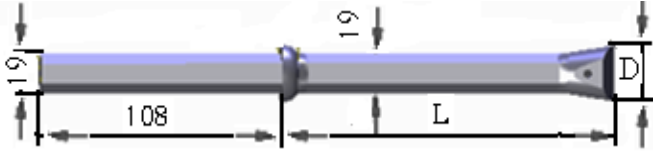
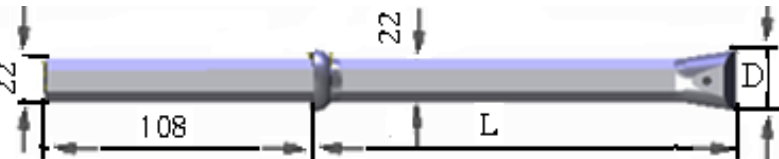
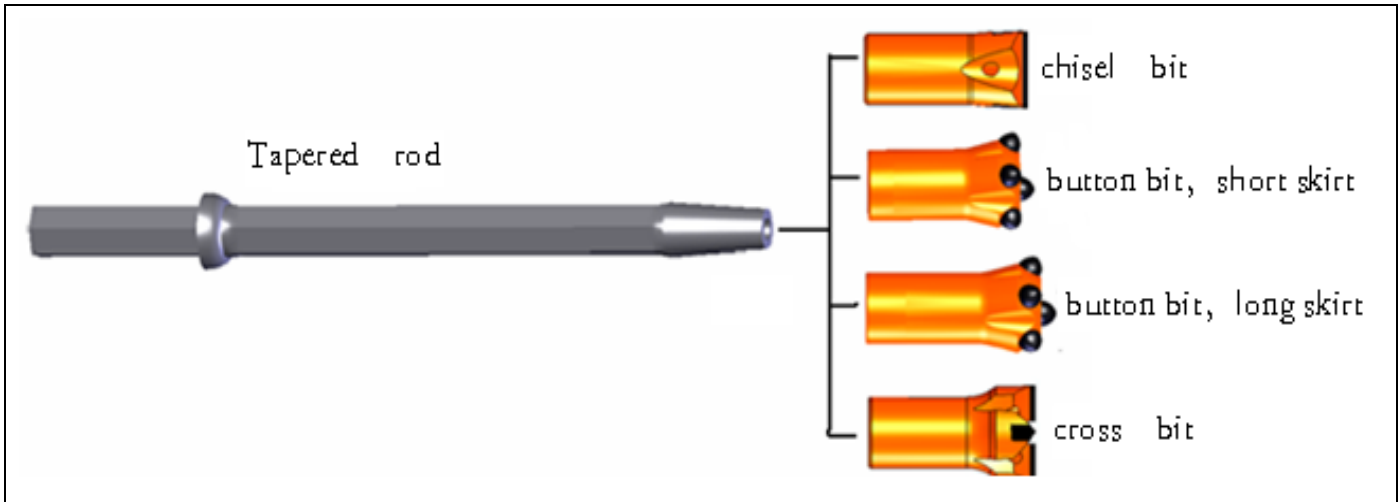




19mm	Length	Bit dia	Weight Approx kg	Part No.
	mm			
chisel bit integral Shank 19mm×108mm 	400	32	1.3	ID 19040032
	500	31	1.5	ID 19050031
	800	30	2.2	ID 19080030
	1000	29	2.6	ID 19100029
	1200	28	3.0	ID 19120028
	1600	27	3.9	ID 19160027
	2400	26	5.7	ID 19240026
	3200	25	7.5	ID 19320025
	4000	24	9.2	ID 19400024

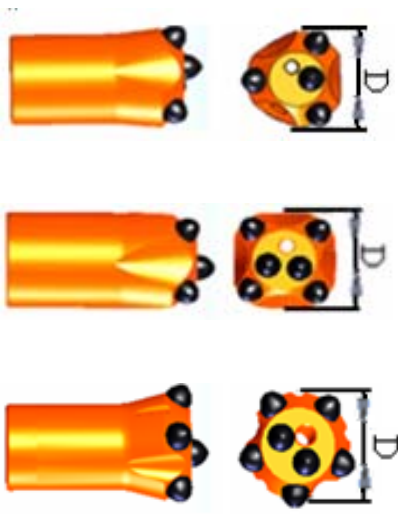

plug hole integral steels Shank 19mm×108mm	Length mm	Bit dia	turned length	Weight approx kg	Part No.
		210	17	150	150
210		20	150	150	PH 19021020
210		22	150	150	PH 19021022
260		20	200	200	PH19026020
260		22	200	200	PH 19026022
310		22	250	250	PH 19031022
340		20	280	280	PH 19034020
Shank 19mm×82mm		210	20	150	0.7
	210	22	150	0.7	PH 19021022

22mm	Length	Bit dia	Weight approx Kg	Part No.
	mm			
chisel bit integral Shank 22mm×108mm 	400	38	10.2	ID 22040038
	600	36	12.9	ID 22060036
	800	35	15.1	ID 22080035
	1200	34	17.6	ID 22120034
	1600	33	20.1	ID 22160033
	1800	32	22.5	ID 22180032
	2000	31	25	ID 22200031
	2100	30	1.7	ID 22210030
	2400	29	3.0	ID 22240029
	3200	28	4.1	ID 22320028
	6400	27	5.2	ID 22640027
	8000	26	6.7	ID 22800026

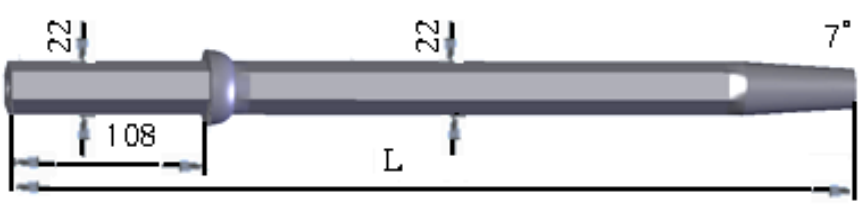


Drill bit	Diameter	Tip size (mm)	Taper	Weight (kg)	Part No.
	(mm)	Heigh × width			
Chisel bit 	26	10×7	7°	0.17	TCHB26007
	28	10×8	7°	0.18	TCHB28007
	30	11×8	7°	0.22	TCHB30007
	32	12×8	7°	0.24	TCHB32007
	34	13×8	7°	0.27	TCHB34007
	36	13.5×8	7°	0.30	TCHB36007
	38	13.5×9	7°	0.33	TCHB38007
	40	15×9	7°	0.38	TCHB40007
	42	15×9.2	7°	0.38	TCHB42007
	43	15×9.8	7°	0.41	TCHB43007
Cross-type bit 	30	12×12×8	7°	0.29	TCTB30007
	32	12×12×8	7°	0.31	TCTB32007
	33	12×12×8	7°	0.33	TCTB33007
	34	12×12×8	7°	0.34	TCTB34007
	35	12×12×8	7°	0.36	TCTB35007
	36	13×12×8	7°	0.37	TCTB36007
	38	14×12×8	7°	0.43	TCTB38007
	40	15×12×8	7°	0.47	TCTB40007
	41	15×12×8	7°	0.49	TCTB41007
	42	15×12×8	7°	0.51	TCTB42007
	43	15×12×8	7°	0.53	TCTB43007
	45	17×14×8	7°	0.58	TCTB45007
	48	17×14×8	7°	0.67	TCTB48007
	50	19×14×8	7°	0.72	TCTB50007
	55	20×16×10	7°	0.92	TCTB55007
	60	22×16×10	7°	1.19	TCTB60007

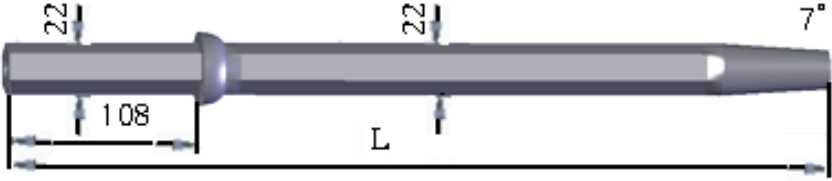
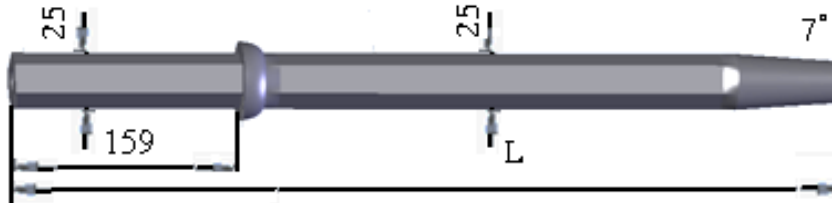
7°

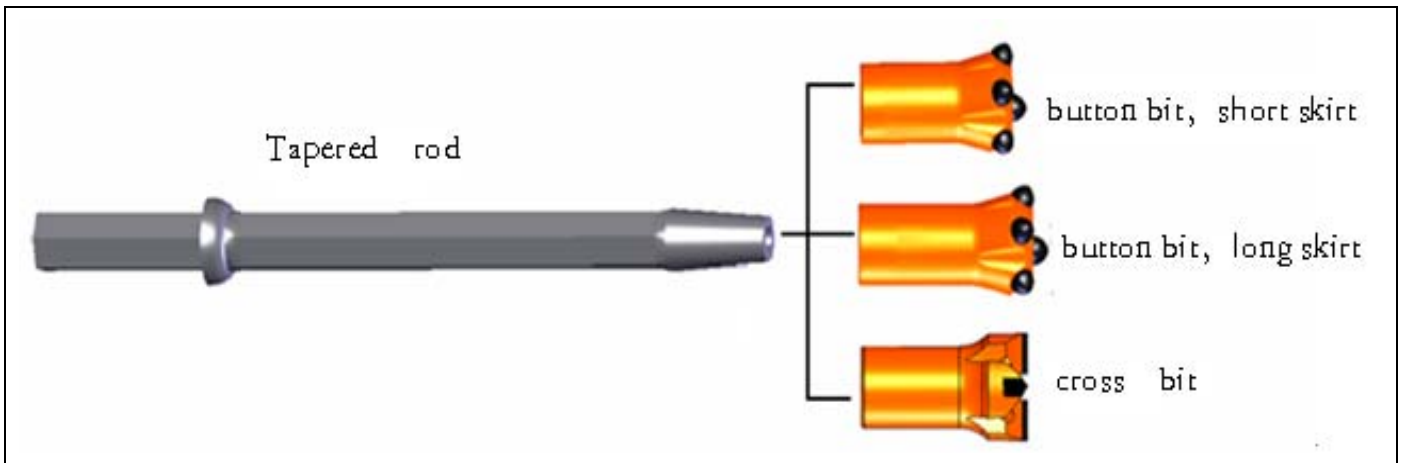
Drill bit	Diameter	No×button diameter			Flushing hole		Weight Approx Kg	Part No.
	(mm)	Front	Gauge	Angle	Front	Side		
Button bit, short skirt  	32	1×8	3×8	35°	1	1	0.24	TBS3213701
	33	2×7	5×7	35°	2	1	0.26	TBS3325702
	34	2×7	4×7	40°	1	1	0.29	TBS3424703
	35	2×7	5×8	35°	1	1	0.33	TBS3525704
	36	1×8	3×9	40°	1	1	0.37	TBS3613705
	36	2×7	5×8	35°	1	1	0.37	TBS3625706
	38	1×8	3×9	35°	1	1	0.38	TBS3813707
	38	2×7	5×8	35°	1	1	0.38	TBS3825708
	38	2×7	5×9	40°	2	1	0.38	TBS3827709
	40	1×8	3×9	30°	1	1	0.40	TBS4013710
	40	1×9	3×10	30°	1	1	0.40	TBS4013711
	40	1×9	3×9	35°	1	1	0.40	TBS4013712
	40	2×7	5×9	35°	1	1	0.40	TBS4013713
	42	1×8	3×9	30°	1	1	0.43	TBS4213714
	42	1×9	3×10	30°	1	1	0.43	TBS4213715
	42	1×9	3×9	35°	1	1	0.43	TBS4213716
42	2×8	5×9	35°	1	1	0.43	TBS4225717	
Long skirt  	32	2×7	5×7	35°	1	1	0.30	TBL3225357
	33	2×7	5×7	35°	1	1	0.31	TBL3325357
	35	2×7	5×8	35°	1	1	0.36	TBL3525357
	38	2×7	5×9	35°	1	1	0.41	TBL3825357
	41	2×7	5×9	35°	1	1	0.42	TBL4125357

7°

Drill rod	Length	Weight Approx Kg	Part No.
	mm		
Hex. 22mm Tapered rod  	600	1.93	TR2206007
	800	2.54	TR2208007
	1000	3.15	TR2210007
	1200	3.76	TR2212007
	1500	4.68	TR2215007
	1600	4.98	TR2216007
	1800	5.59	TR2218007
	2000	6.20	TR2220007
	2200	6.81	TR2222007
	2300	7.12	TR2223007
	2400	7.42	TR2224007
	2500	7.73	TR2225007

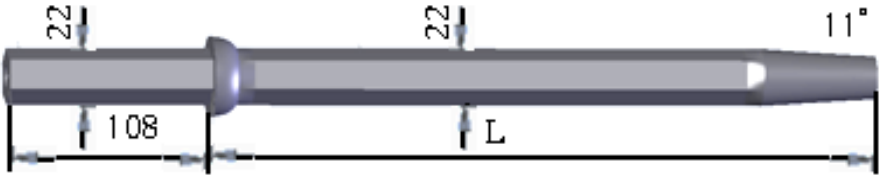
7°

Drill rod	Length	Weight	Part No.
	mm	Approx Kg	
Hex. Tapered rod 	4000	12.30	TR2240007
	4500	13.83	TR2245007
	5000	15.35	TR2250007
	5500	16.88	TR2255007
	6000	18.30	TR2260007
	4000	16.10	TR2540007
	4700	18.90	TR2547007
	5000	22.10	TR2550007
	5500	22.10	TR2550007
	6000	24.10	TR2560007

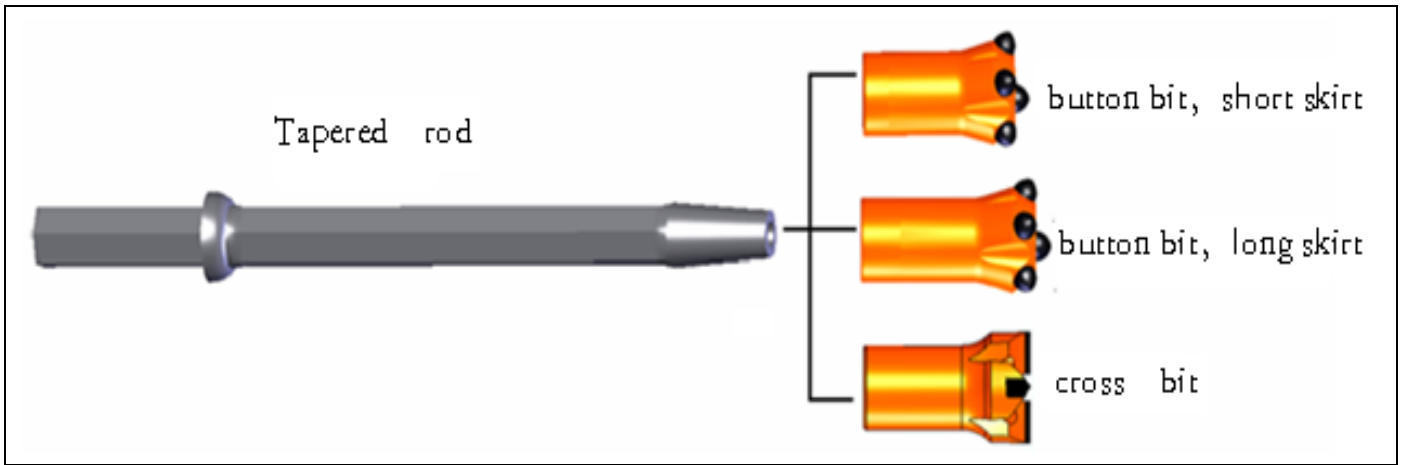


Drill bit	Diameter	No×button diameter			Flushing hole		Weight	Part No.
	(mm)	Front	Gauge	Angle	Front	Side	Approx Kg	
Button bit, short skirt 	32	1×8	3×8	35°	1	2	0.24	TBS32131101
	32	2×7	5×7	40°	1	1	0.24	TBS32251102
	33	2×7	4×7	40°	1	1	0.25	TBS33241103
	34	2×7	4×7	40°	1	1	0.29	TBS34241104
	35	2×7	5×7	35°	1	1	0.33	TBS35131105
	35	2×7	5×8	35°	1	1	0.33	TBS35251106
	36	1×8	3×9	40°	1	1	0.36	TBS36131107
	36	2×7	4×7	40°	1	1	0.36	TBS36241108
	36	2×7	5×8	35°	1	1	0.36	TBS36251109
	38	1×9	3×9	40°	1	1	0.39	TBS38131110
	38	2×8	3×9	40°	1	1	0.39	TBS38231111
	38	2×9	5×8	35°	1	1	0.39	TBS38251112
	38	2×7	5×9	35°	1	1	0.39	TBS38251113
	40	1×9	3×9	40°	1	1	0.40	TBS40131114
	40	2×8	3×9	40°	1	1	0.40	TBS40231115
	40	2×9	3×9	40°	1	2	0.40	TBS32231116
40	2×7	5×9	35°	1	1	0.40	TBS40251117	
40	2×8	5×9	35°	1	1	0.40	TBS40251118	
41	2×7	5×9	35°	1	1	0.41	TBS41131119	
Cross-type bit 	29	12×8		—	1	2	0.25	TCTB2911
	30	12×8		—	1	2	0.26	TCTB3011
	32	12×8		—	1	2	0.30	TCTB3211
	33	12×8		—	1	2	0.32	TCTB3311
	35	12×8		—	1	2	0.36	TCTB3511
	36	12×8		—	1	2	0.39	TCTB3611
	38	12×8		—	1	2	0.43	TCTB3811
41	12×8		—	1	2	0.49	TCTB411	

11°

Drill rod	Length	Weight	Part No.
	mm	Approx Kg	
Hex. 22mm Tapered rod, carburized 	610	2.2	TR22061011
	1220	4.1	TR22122011
	1830	5.9	TR22183011
	2000	6.4	TR22200011
	2435	7.8	TR22243511
	2600	8.3	TR22260011
	3200	10.1	TR22320011
	3655	11.5	TR22365511
	4000	12.6	TR22400011
	4800	14.9	TR22480011
	5600	17.4	TR22560011
	6400	19.8	TR22640011
	7200	22.2	TR22720011
	8000	24.6	TR22800011

12°




12°

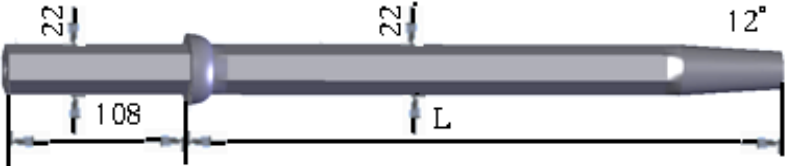
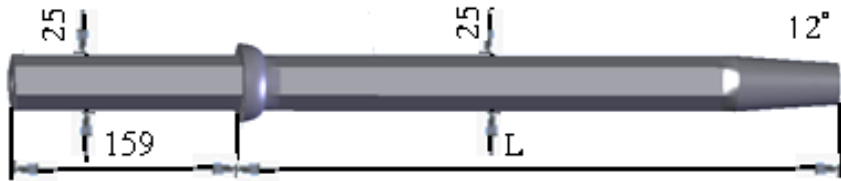
Drill bit	Diameter	No × button diameter			Flushing hole		Weight Approx Kg	Part No.
	(mm)	Front	Gauge	Angle	Front	Side		
Button bit, short skirt 	28	1×7	3×7	20°	1	1	0.20	TBS28131201
	29	1×7	3×7	40°	1	1	0.21	TBS29131203
	30	1×7	3×7	40°	1	1	0.22	TBS30131204
	30	1×7	4×7	35°	1	1	0.22	TBS30141205
	32	2×7	4×7	35°	1	1	0.22	TBS32241206
	33	2×7	5×7	35°	2	1	0.25	TBS33251207
	34	2×7	5×7	35°	1	1	0.33	TBS34251208
	35	2×7	5×8	35°	1	1	0.33	TBS35251209
	35	2×7	5×9	35°	1	1	0.33	TBS35251210
	35	2×7	5×9	35°	2	1	0.33	TBS35251211
	36	2×7	5×9	35°	1	1	0.37	TBS36251212
	37	2×7	5×9	40°	1	1	0.38	TBS37251213
	38	1×9	3×9	40°	1	1	0.40	TBS38131214
	38	2×7	5×9	35°	1	1	0.40	TBS38251215
41	2×7	5×9	35°	1	1	0.41	TBS41251216	
Long skirt 	32	2×7	6×7	35°	1	1	0.30	TBL322612
	35	2×7	6×7	40°	2	1	0.35	TBL352512
	38	2×7	6×9	35°	1	1	0.41	TBL382512
	41	2×7	6×9	35°	1	1	0.42	TBL412512
	32	2×7	5×7	35°	1	1	0.35	TBL322512
	35	2×7	5×7	35°	1	1	0.38	TBL352512
	36	2×7	5×7	35°	1	1	0.39	TBL362512
	38	2×7	5×9	35°	1	1	0.41	TBL382512
	41	2×7	5×9	35°	1	1	0.42	TBL412512

**Small hole drilling tools**

12°

Drill bit	Diameter	No×button diameter			Flushing hole		Weight	Part No.
	(mm)	Front	Gauge	Angle	Front	Side	Approx Kg	
Cross-type bit 	29	12×8	—	—	1	2	0.25	TCTB02912
	30	12×8	—	—	1	2	0.26	TCTB03012
	32	12×8	—	—	1	2	0.30	TCTB03212
	33	12×8	—	—	1	2	0.32	TCTB03312
	35	12×8	—	—	1	2	0.36	TCTB03512
	36	12×8	—	—	1	2	0.39	TCTB03612
	38	12×8	—	—	1	2	0.43	TCTB03812
	40	12×8	—	—	1	2	0.46	TCTB04012
	41	14×8	—	—	1	2	0.49	TCTB04112

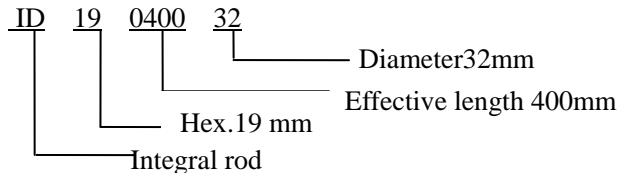
12°

Drill rod	Length	Weight	Part No.
	mm	Approx Kg	
Hex. 22mm Tapered rod, carburized 	610	2.20	TR22061012
	1220	4.10	TR22122012
	1830	5.90	TR22183012
	2000	6.40	TR22200012
	2435	7.80	TR22243512
	2600	8.30	TR22260012
	3200	10.10	TR22320012
	3655	11.50	TR22365512
	4000	12.60	TR22400012
	4800	14.90	TR22480012
	5600	17.40	TR22560012
	6400	19.80	TR22640012
	7200	22.20	TR22720012
8000	24.60	TR22800012	
Hex. 25mm Tapered rod, carburized 	1830	7.96	TR25183012
	2435	10.38	TR25243512
	3050	12.84	TR25305012
	3655	15.26	TR25365512
	3965	16.50	TR25396512
	4270	17.72	TR25427012
	4880	20.16	TR25488012
	5530	22.76	TR25553012
6095	25.02	TR25609512	

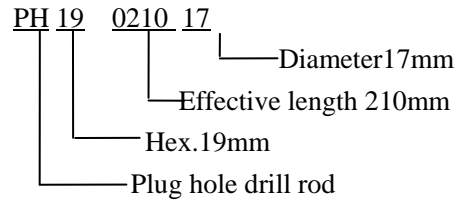


**part number explanation:**

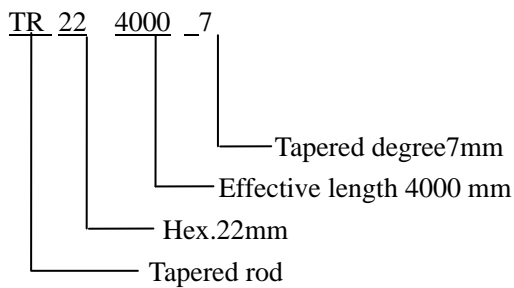
Integral drill rods:Hex.19:



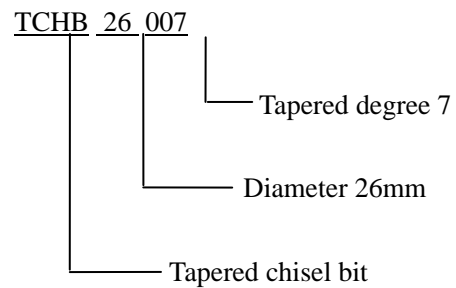
Plug hole drill rods:



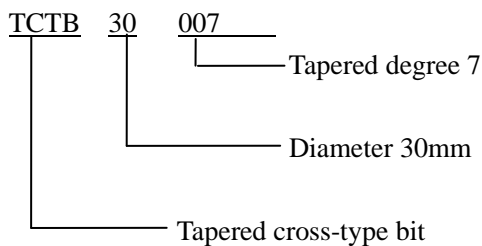
Tapered drill rods:



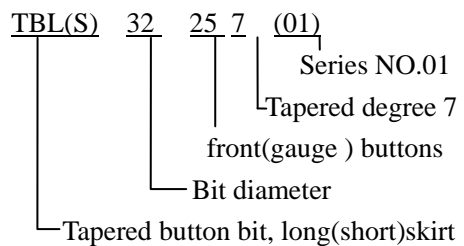
Tapered chisel bit



Tapered cross bit



Tapered button bit



Note:

1,This catalogue only shows some typical items we are supplying, many other items are available upon request.

2,This catalogue is only for reference usage, Sinodrills reserves the right to make changes at any time without prior notice.